

# V1182-3108R Series

## HD 3MP IR Vari-Focal 1/2.7" Lenses w/DC Auto Iris

**Infinova**<sup>®</sup>  
The Integrator's Manufacturer



- **3 Mega pixels**
- **DC auto iris**
- **Wide aperture of F1.2, optimizing the performance at low lighting intensity**
- **Broad range of f3.1~8mm, adapting various applications**
- **Precise Focus Adjustment**
- **IR corrected optics is suitable for day/night cameras**
- **Compact, light weight and robust design**

V1182-3108R series HD 3MP IR lenses adopt the latest IR corrected, aspherical and ED (Extra-low Dispersion) optics, offering precise focus adjustment. Focus ring adjusting range can reach 180°.

The lenses are able to correct the chromatic aberrations that occur in both visible light and infrared (IR) light, producing superb images under all kinds of light conditions. They can present clear images even the IR wavelength is 950nm. Unique HD optical design provides larger image circle for exceptional brightness and clarity in corners and throughout image plane.

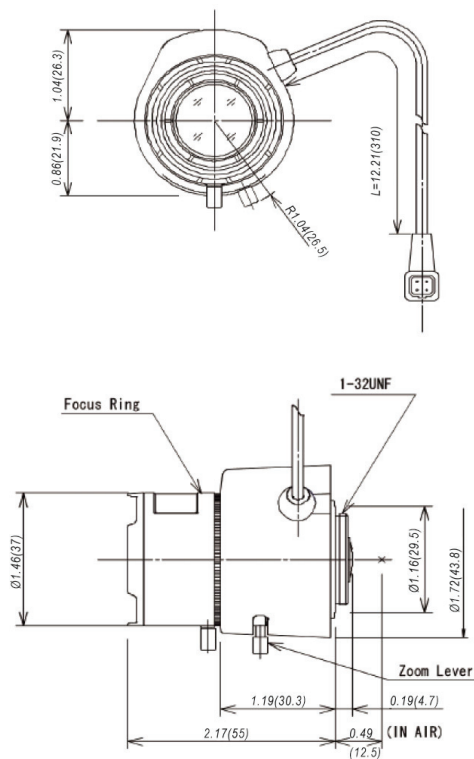
## Technical specifications

Image Size	1/2.7"	
Mount	CS	
Focal Length	3.1~8mm	
Aperture	F1.2~F360C	
Angle of View	D	123.1° ~ 48.3°
	H	105.4° ~ 42.2°
	V	57.9° ~ 23.8°
Iris	Auto (DC drive)	
Focus	Manual	
Zoom	Manual	
Focusing Range	0.3m~∞	
Effective Lens Aperture	Front	Ø20.9mm
	Rear	Ø10.5mm
Back Focal Length	Tele	7.8mm
	Wide	7.8mm
Flange Back Length	12.5mm	
Weight	0.13 lbs. (59g)	
Dimensions (Ø×L×W)	1.46"×2.17"×1.90" (37mm×55mm×48.2mm)	
Coil Resistance	Drive	190 Ohm
	Damping	855 Ohm
Operating Current	76 mA (Max.) at DC 4V	
Operating Temperature	14°F~122°F (-10°C ~ 50°C)	
<b>Certifications and Approval</b>		
Product Certifications	CE, ISO 9001: 2008	

## Ordering information

V1182-3108R Lens, 3 Mega pixels, IR correction, f=3.1-8mm, F/1.2, DC auto iris, 1/2.7 inch, CS, Aspherical

## Dimensions



(Unit: inch, in the parentheses is mm)